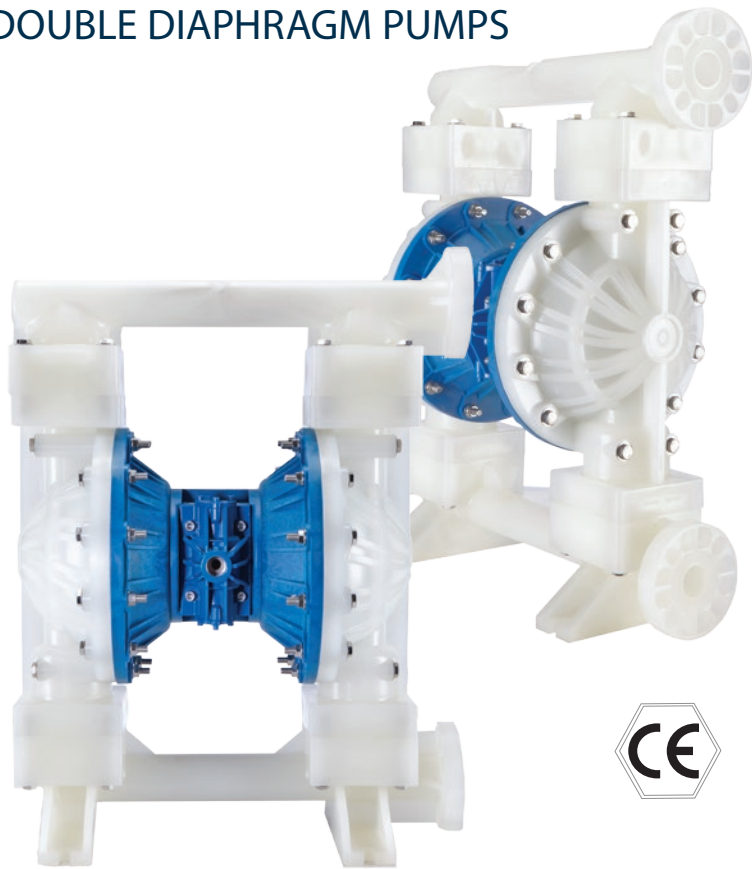




Model FT15 Plastic

AIR OPERATED DOUBLE DIAPHRAGM PUMPS



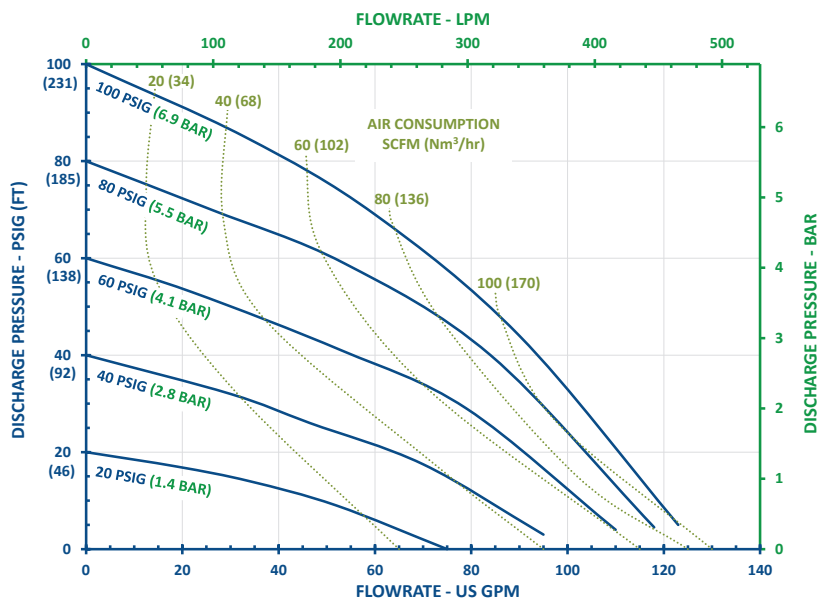
Specifications

| | |
|-------------------------------|-----------------------|
| Suction & Discharge Size: | 1.5" x 1.5" |
| Porting Location: | End |
| Connection Types: | ANSI/DIN/ISO flange |
| Air Inlet & Air Exhaust Size: | 3/4" FNPT x 3/4" FNPT |

Capabilities

| | |
|------------------------------|--------------------------|
| Maximum Flow Rate: | 125 gpm (473 lpm) |
| Maximum Air Supply Pressure: | 100 psig (6.9 bar) |
| Displacement Per Stroke: | 0.31 gal (1.2 lit) |
| Minimum Air Inlet Pressure: | 10 psig (0.7 bar) |
| Maximum Particle Size : | 0.35 in (8.9 mm) |
| Sound Pressure: | 77 dB(A) |
| Operating temperature: | Determined by elastomers |

FT15 Performance



Note: Full stroke diaphragm allows performance to be equal for all elastomers.

Typical Applications

- Acids & Bases
- Plating Solutions
- Wastewater
- Paints, Inks, Solvents
- Ceramic Slip and Glaze
- Lubricants and Oils

Typical Industries

- Mining
- Paints and Coatings
- Ceramics
- Pulp and Paper
- Electroplating & Anodizing
- Wastewater
- Marine
- Chemical Manufacturing & Distribution
- OEM's

CHANGE IS IN THE AIR

Construction

| | |
|----------------------|---|
| Wetted Materials: | Polypropylene, PVDF |
| Diaphragm Materials: | Neoprene, Santoprene™, FKM, EPDM, PTFE, Buna, Hytrel®, Polyurethane |
| Air Valve: | GFRPP, Aluminum |
| Ball Materials: | Neoprene, Buna, EPDM, FKM, Santoprene™, PTFE |
| Seat Materials: | Polypropylene, PVDF |
| O-ring Materials: | Buna, FKM, Santoprene™, Polyurethane, FEP/FKM |

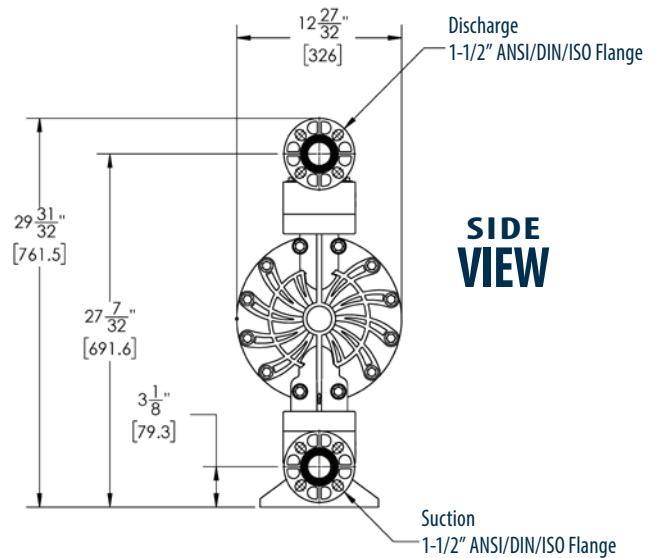
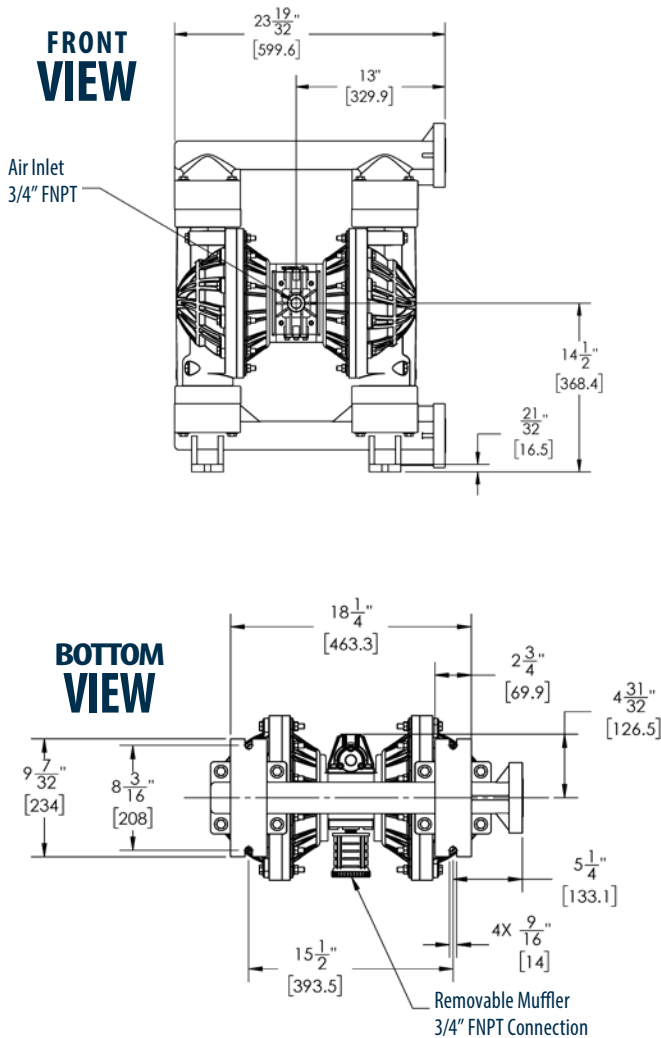
Santoprene™ is a registered trademark of Exxon Mobil Corp.
Hytrel® is a registered trademark of Dupont™

Dimensions

| | |
|-----------------|----------------------|
| Maximum Height: | 29-31/32 in (762 mm) |
| Maximum Width: | 23-19/32 in (600 mm) |
| Maximum Depth: | 12-27/32 in (326 mm) |

Weight

| | |
|----------------|-------------------|
| Polypropylene: | 66.0 lb (29.9 kg) |
| PVDF: | 95.0 lb (43.1 kg) |



FTI AIR

921 GREENGARDEN ROAD ERIE, PA 16501
Tel: (800) 934-9384 • Fax: (814) 459-3460
www.FTIAIR.com

