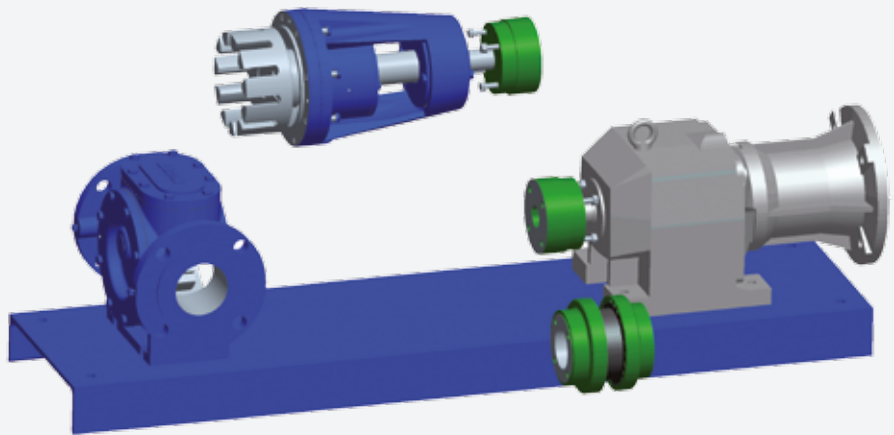


# Service on pumps without breaking any pipe connections?

True back-pull-out feature allows inspection/repair of the rotating cartridge without disturbing the piping or coupling alignment.

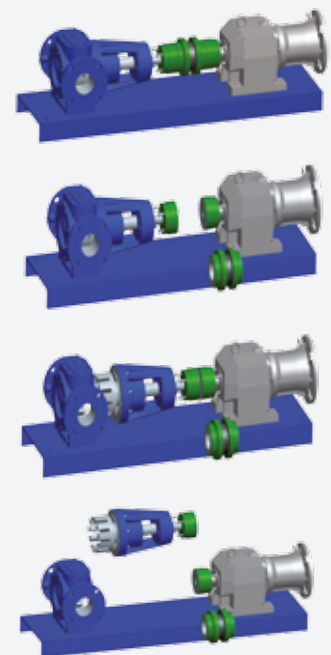
- Reduced downtime costs
- Reduced labour costs
- Spares optimization



This...



Not this...



For more information on Industry solutions, please visit [www.desmi.com](http://www.desmi.com)

**DESMI**